

1x4 (4x4) Multi-Mode 50/125μm Broadband Fused Splitter



Specifications

Specification		Splitting Ratio:		25:25:25:25		
Parameter		Unit	1x4		4x4	
Grade			P	A	P	A
Bandwidth		nm	± 20			
Insertion Loss	Max.	dB	7.5	8.0	8.0	8.5
Excess Loss	Typ.	dB	0.8	1.0	0.8	1.0
Uniformity	Max.	dB	1.2	1.6	1.8	2.2
Return Loss	Min.	dB	40			
Operating Temperature		°C	-5 to +70			
Storage Temperature		°C	-50 to +85			

Note: Return loss without connector; insertion loss does not include connector

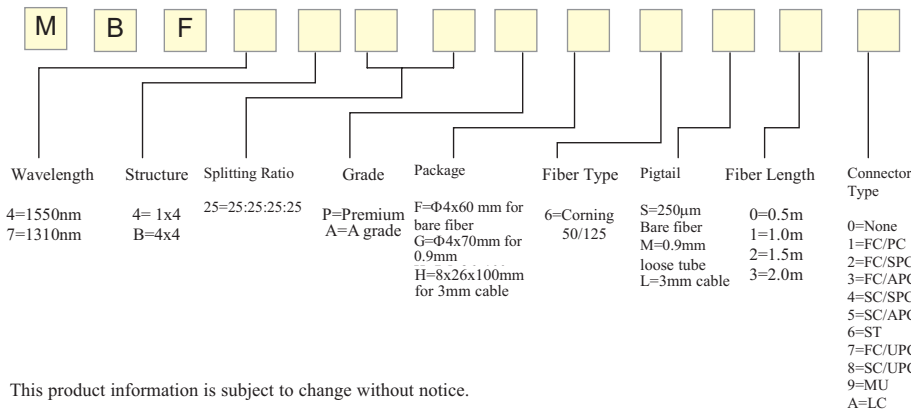
Features/Benefits

- Compact package
- Low excess loss

Applications

- Optical communication system
- LAN
- FDDI
- Access network

Ordering Information



This product information is subject to change without notice.