

1x3 (3x3) Multi-Mode 50/125μm Broadband Fused Splitter



Features / Benefits

- Compact package
- Low excess loss

Applications

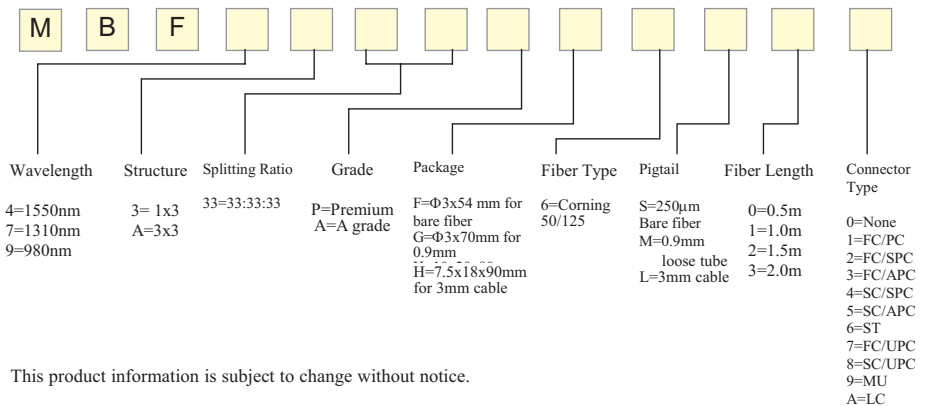
- Optical communication system
- LAN
- FDDI
- Access network

Specifications

Specification		Splitting Ratio		33:33:33		
Parameter	Unit	1x3		3x3		
Grade		P	A	P	A	
Bandwidth	nm	± 20				
Insertion Loss	Max.	dB	6.2	6.7	6.7	7.2
Excess Loss	Typ.	dB	0.7	1.0	0.2	0.3
Uniformity	Max.	dB	1.0	1.4	0.7	1.0
Return Loss	Min.	dB	40			
Operating Temperature	°C	-5 to +70				
Storage Temperature	°C	-50 to +85				

Note: Return loss without connector; insertion loss does not include connector

Ordering Information



This product information is subject to change without notice.