

1x2 (2x2) Multi-Mode Broadband Fused Splitter

Specifications

Specification		Splitting Ratio:		50 : 50		
Parameter		Unit	1x2		2x2	
Grade			P	A	P	A
Bandwidth		nm	± 40			
Insertion Loss	Max.	dB	3.6	4.0	4.0	4.4
Excess Loss	Typ.	dB	0.2	0.3	0.3	0.4
Uniformity	Max.	dB	0.5	0.8	0.5	0.8
Return Loss	Min.	dB	40			
Operating Temperature		°C	-5 to +70			
Storage Temperature		°C	-50 to +85			

Note: Return loss without connector; insertion loss does not include connector



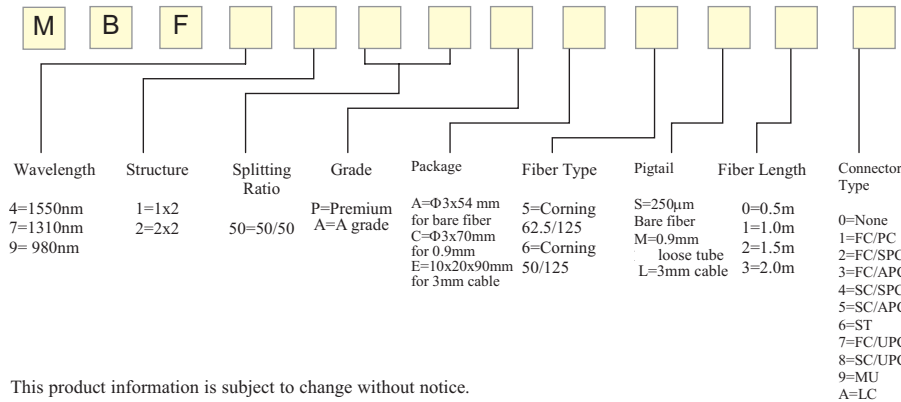
Features/Benefits

- Compact package option
- Low excess loss

Applications

- Optical communication system
- LAN
- FDDI
- Access network

Ordering Information



This product information is subject to change without notice.