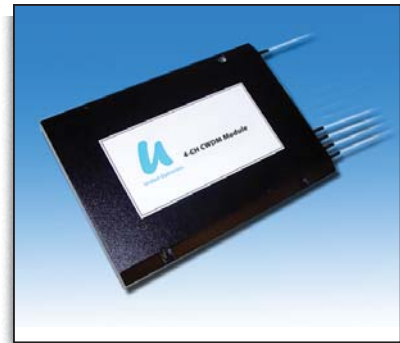


4-CH CWDM Module

Specifications

Parameters	Unit	Specification						
		Demux			Mux			
		Standard	High Isolation	Wide Passband	Standard	High Isolation	Wide Passband	
Channel Spacing	nm	20						
Operating Wavelength Range	nm	1450 ~ 1630						
Center Wavelength	nm	1471(0), 1491(0), 1511(0), 1531(0) 1551(0), 1571(0), 1591(0), 1611(0)						
Passband @ 0.5dB	Min.	nm	± 6.5	± 5	± 7	± 6.5	± 5	± 7
Insertion Loss	Max.	dB	2.0	2.0	2.0	1.6	1.6	1.6
Insertion Loss Uniformity @ Center, 23°C	Max.	dB	1.0	1.0	1.0	1.0	1.0	1.0
Isolation @ Adjacent Channels	Min.	dB	30	55	30	-	-	-
Isolation @ Non- Adjacent Channels	Min.	dB	50	55	50	-	-	-
Directivity	Min.	dB	55	55	55	55	55	55
Optical Return Loss	Min.	dB	45	45	45	45	45	45
Polarization Dependent Loss	Max.	dB	0.1	0.1	0.1	0.1	0.1	0.1
Polarization Mode Dispersion	Max.	ps	0.1	0.1	0.1	0.1	0.1	0.1
Operating Temperature	°C	-5 ~ 70						
Storage Temperature	°C	-40 ~ 85						
Max. Optical Power @ Input	Min.	mW	500					
Max. Tensile Load	Min.	N	5					
Fiber Type	-	SMF-28						
Dimension	mm	Standard: 120 x 80 x 9, Compact: 100 x 80 x 9						



Features / Benefits

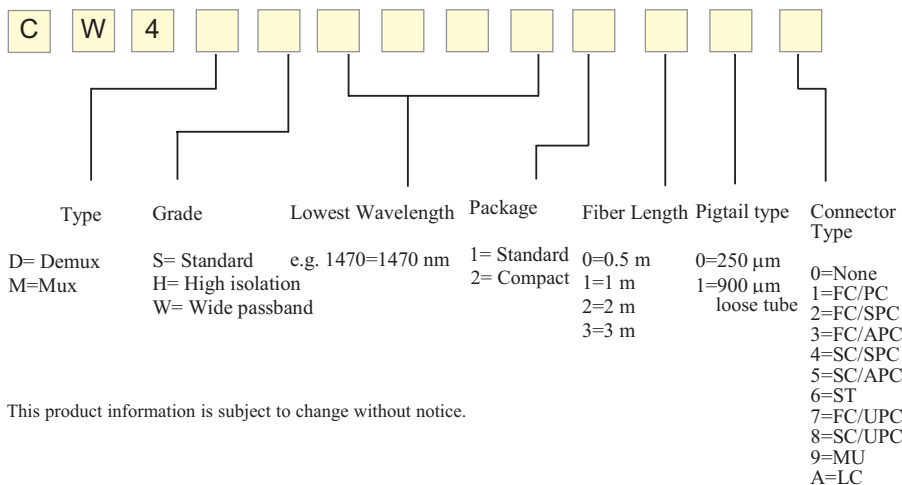
- Low insertion loss
- High channel isolation
- Low PDL & PMD

Applications

- Metro/access networks

Note: Return loss without connector; insertion loss does not include connector

Ordering Information



This product information is subject to change without notice.